

Item # & Motor Specification

All Part #'s Begin With "ASK"

AMK280000	230V/50Hz, 1.15kW	AMK281000	230V/50Hz, 1.15kW
AMK280001	230V/50Hz, 1.15kW	AMK281001	230V/50Hz, 1.15kW
AMK280011	115V/60Hz, 1.15kW	AMK281011	115V/60Hz, 1.15kW

Bona CombiEdge

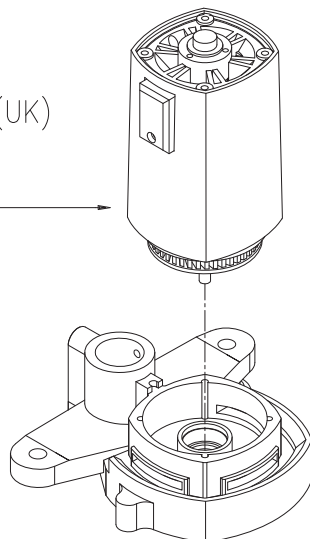
Short & Long



68.999.4.0028

MOTOR + CONVEYOR
230-240V/50Hz - 240V/50Hz (UK)

66.000.3.0030
MOTOR 230-240V/50Hz - 240V/50Hz (UK)
66.000.3.0060
MOTOR 115V/60Hz



66.000.4.0001NO
CONVEYOR

68.999.4.0029

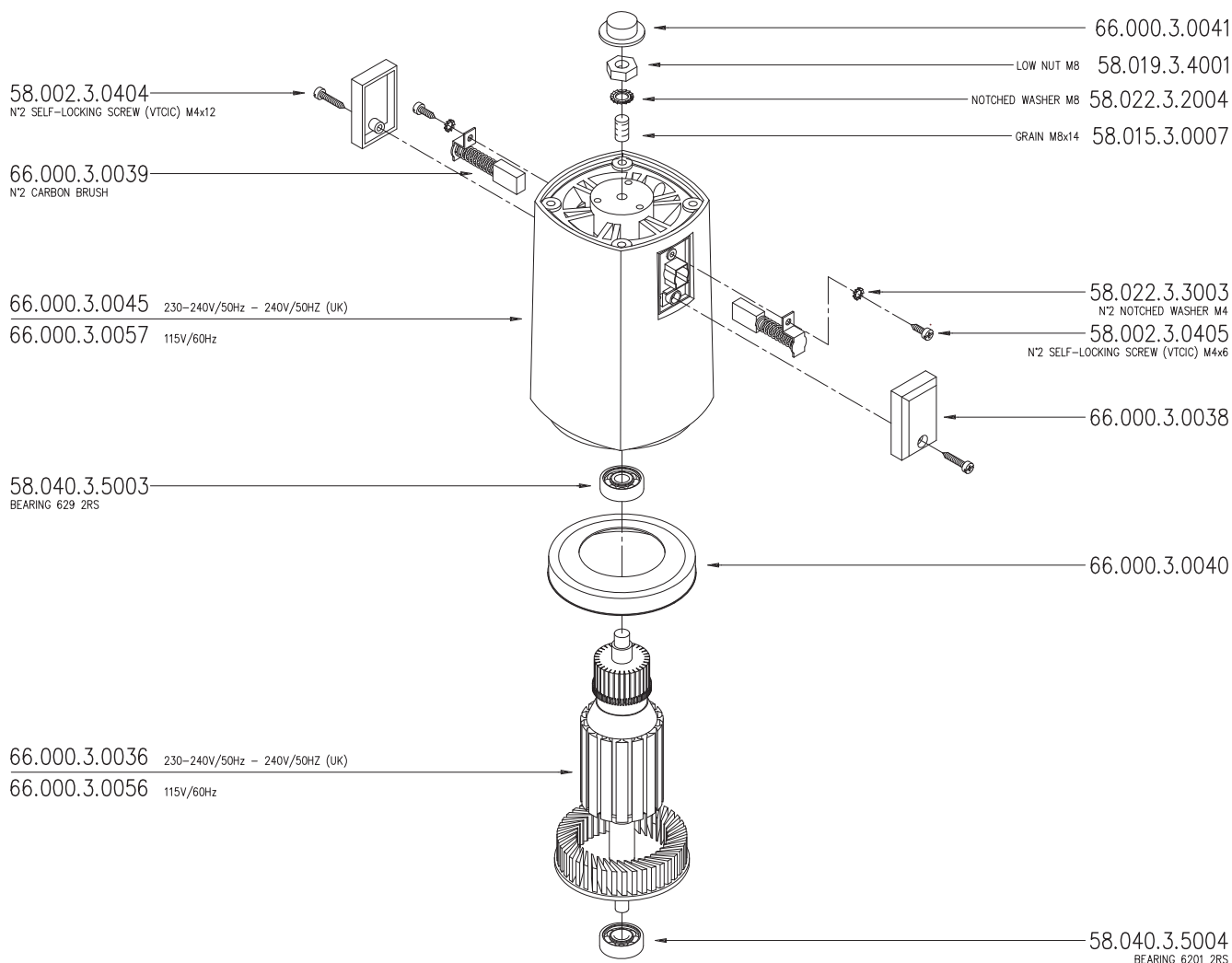
MOTOR + CONVEYOR
115V/60Hz

66.000.3.0030

MOTOR 230-240V/50Hz - 240V/50Hz (UK)

66.000.3.0060

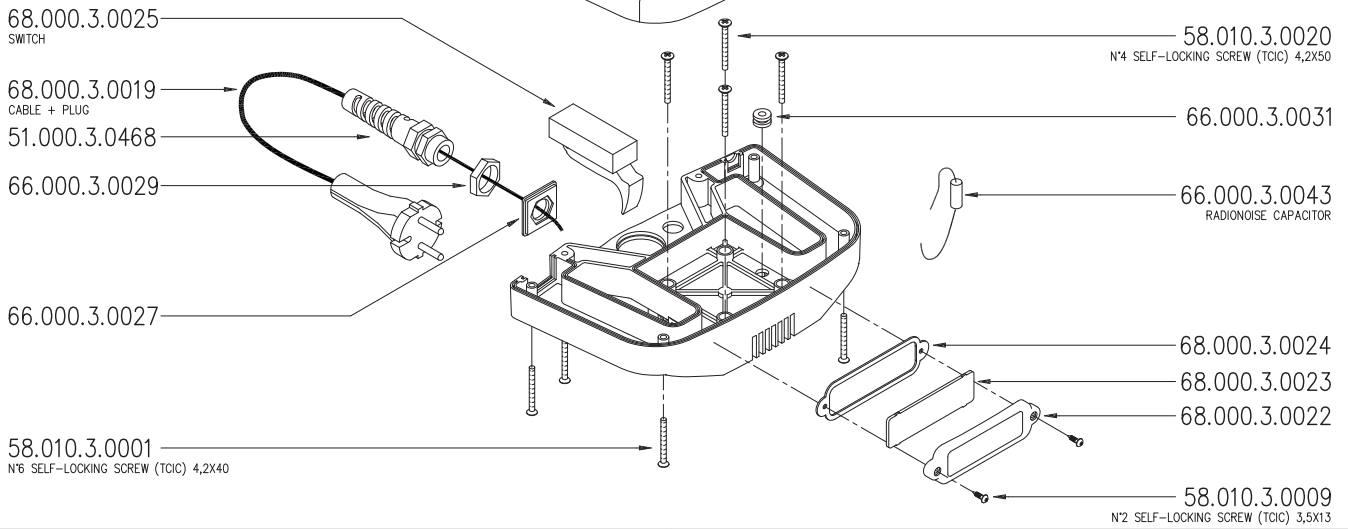
MOTOR 115V/60Hz



COMPLETE HANDLE

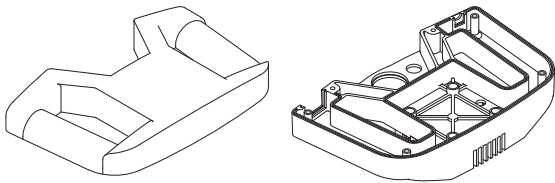
230-240V/50Hz - 240V/50Hz (UK)

NO LED



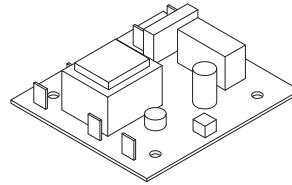
66.999.4.0032

HANDLE SHELLS (pair only)



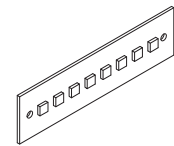
68.999.4.0053

LED CARD GROUP 230V/50Hz



68.999.4.0054

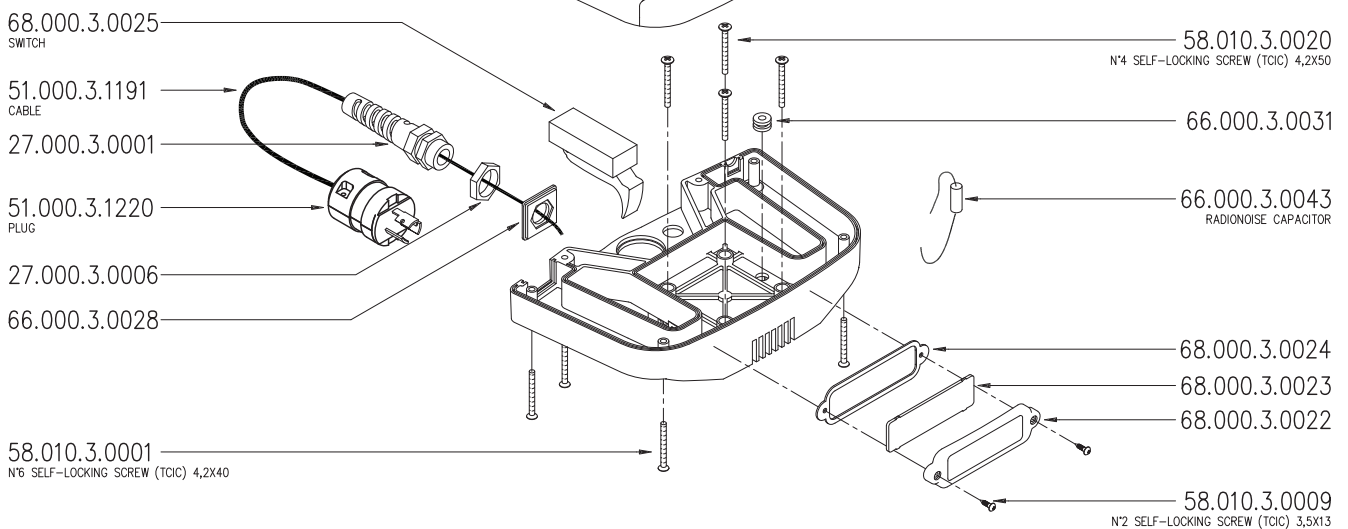
LED CARD GROUP 115V/60Hz



COMPLETE HANDLE

115/60Hz

NO LED



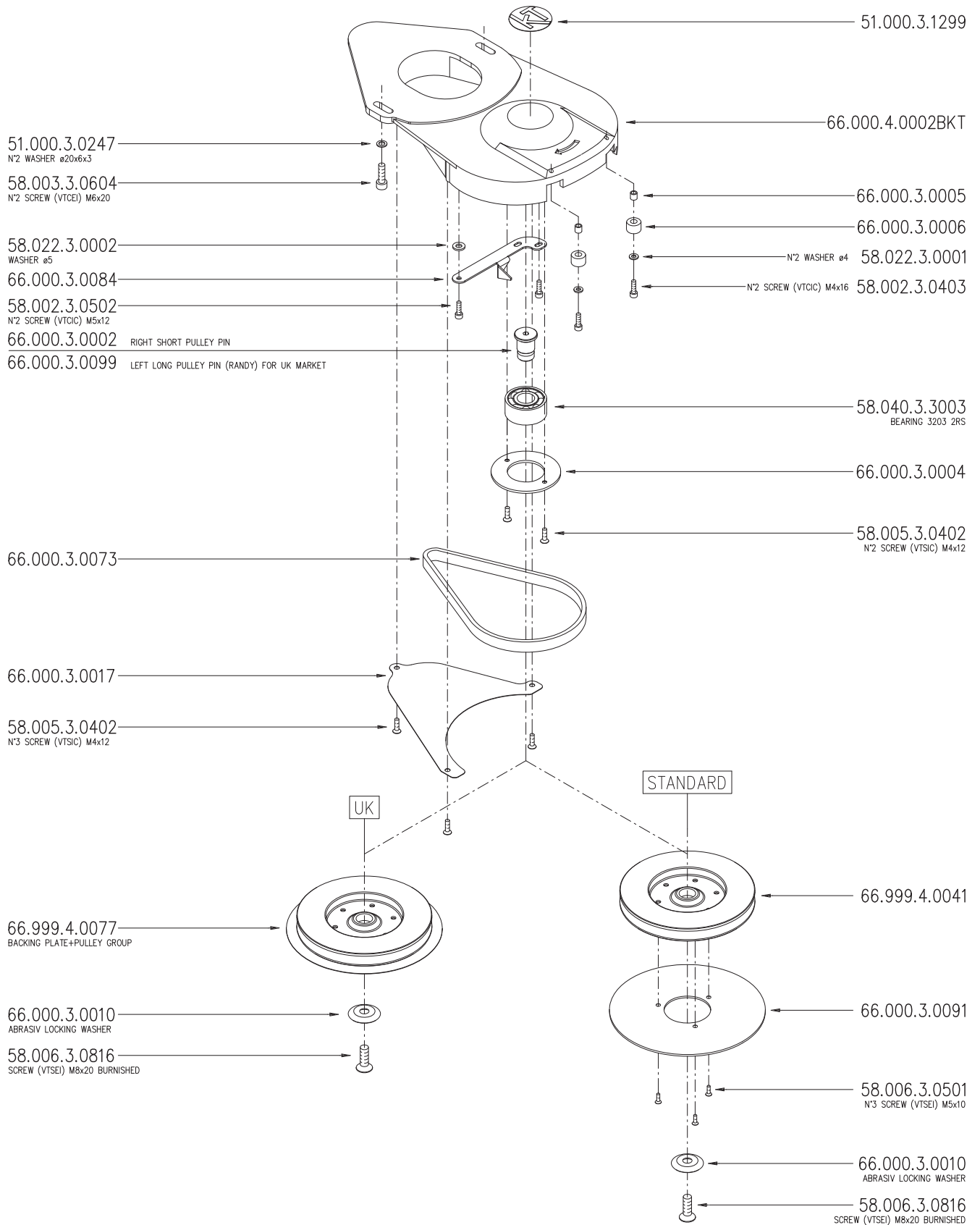
Bona CombiEdge by  KÜNZLE & TASIN

66.999.4.0022BKT

UK COMPLETE SHORT ARM R.9006

66.999.4.0023BKT

COMPLETE SHORT ARM RAL 9006

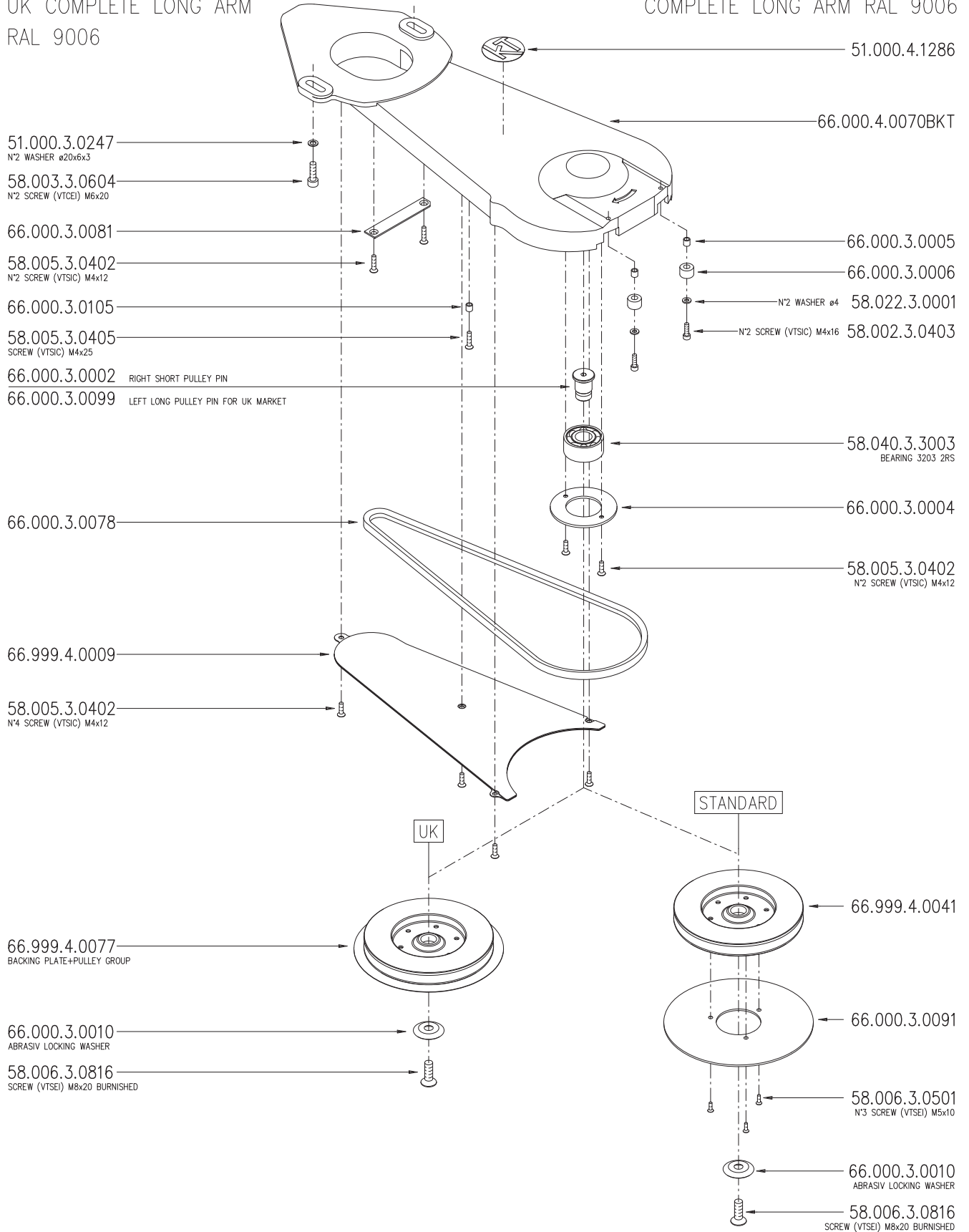


66.999.4.0021BKT

UK COMPLETE LONG ARM
RAL 9006

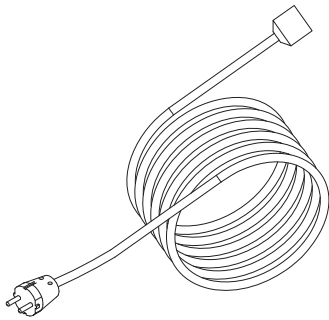
66.999.4.0024BKT

COMPLETE LONG ARM RAL 9006



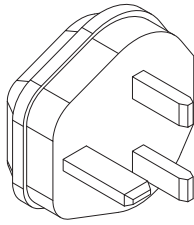
29.000.3.0115

7 MT 3x2,5 MM POWER CABLE
(SCHUKO SOCKET AND PLUG)



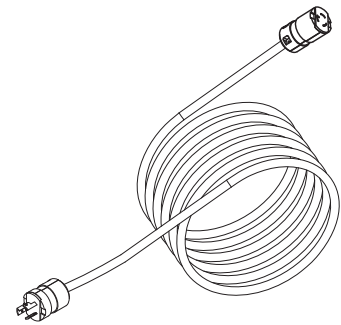
51.000.3.1283

PLUG ADAPTER 13A UK



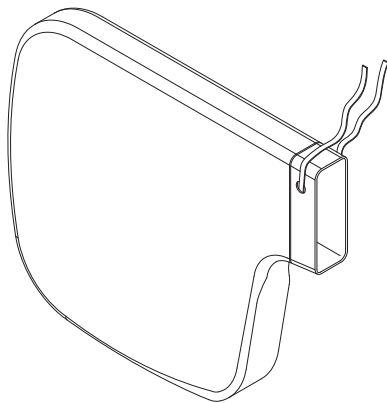
67.999.3.0019

10 MT (USA) POWER CABLE
115V/50Hz 115V/60Hz



66.000.4.0034

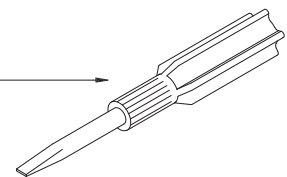
FABRIC DUST BAG (WITH LOGO)



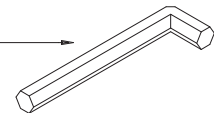
66.999.4.0020

TOOL BAG

51.000.3.0145
REVERSIBLE SCREW DRIVER



02.000.3.0299
ALLEN WRENCH 5



Bona CombiEdge by  KÜNZLE & TASIN
Short & Long